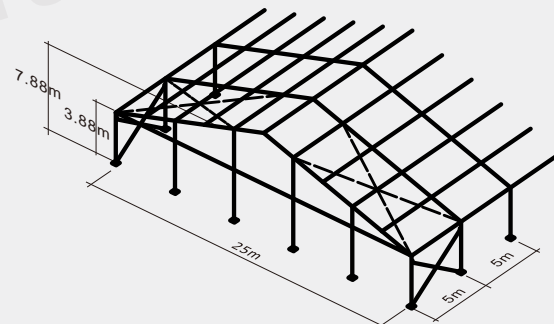
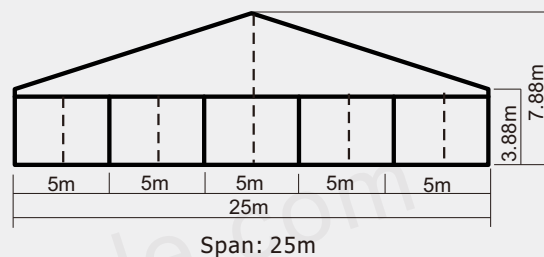
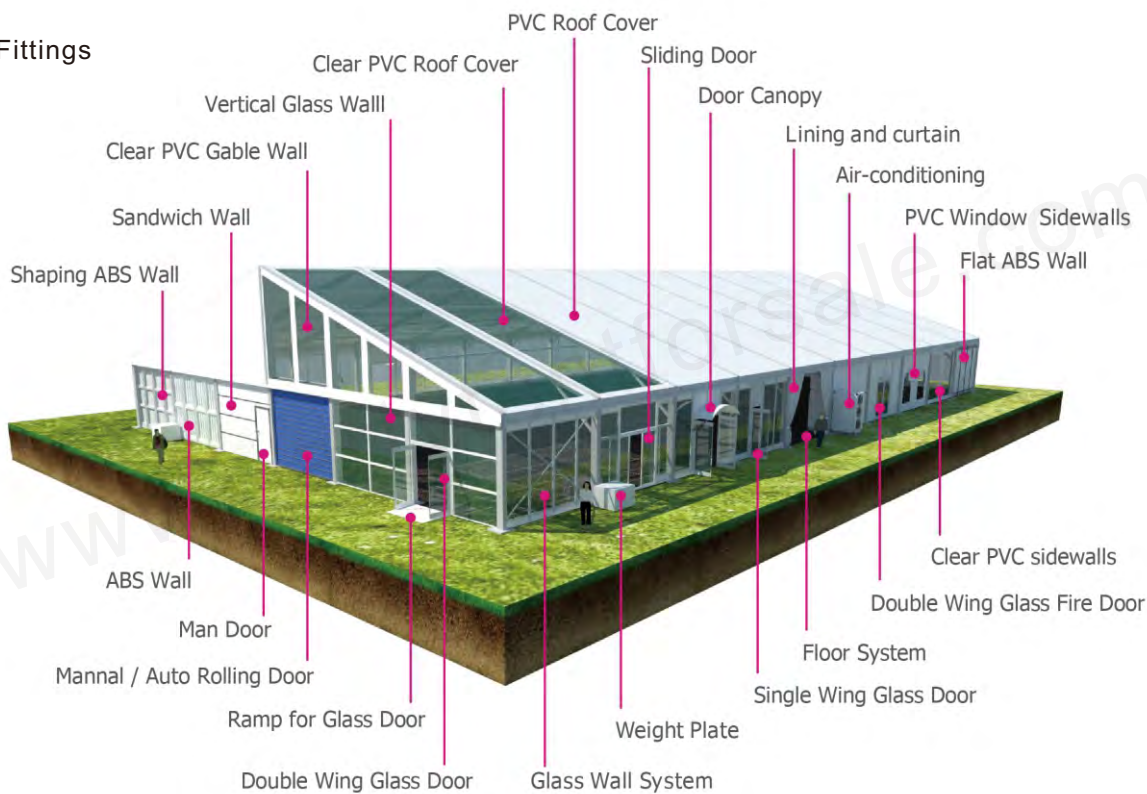


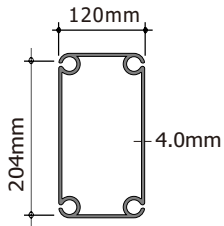
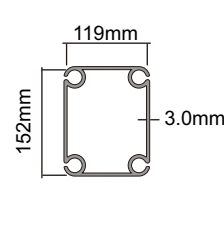
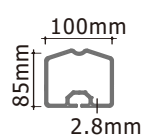
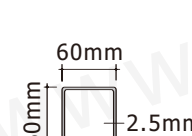
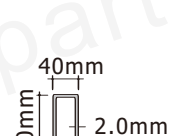
Span	Bay	Eave Height	Ridge Height	Main Profile(4 channel)
10m	5m	3.88m	5.53m	204x120x4 mm
12m	5m	3.88m	5.83m	204x120x4 mm
15m	5m	3.88m	6.3m	204x120x4 mm
20m	5m	3.88m	7.1m	204x120x4 mm
21m	5m	3.88m	7.25m	204x120x4 mm
25m	5m	3.88m	7.88m	204x120x4 mm

The minimum length of these big party tents is 15m, and the maximum is unlimited. We also supply custom tents that tailor made according to your site.



Optional Fittings



 <p>Upright Support Roof Beam</p>	 <p>Gable Pole</p>	
 <p>Ridge Purlin Eave Purlin Gable Beam</p>	 <p>Inter medial Purlin</p>	 <p>Eave Tension Rail</p>

Features

- Frame Material: hard pressed extruded aluminum 6061/T6(15HW)
- Cover Material: high quality double PVC-coated polyester textile, which is 100% waterproof, flame retardant, UV resistant, self-cleaning
- Connector: strong hot-dip galvanized steel
- Allowed Condition: -30 degree Celsius ~ +70 degree Celsius
- Wind load: max. 100km/h (can be reinforced)
- Snow load: 75kg/sqm
- Easy to be assembled and dismantled.
- No pole inside, 100% available interior space.