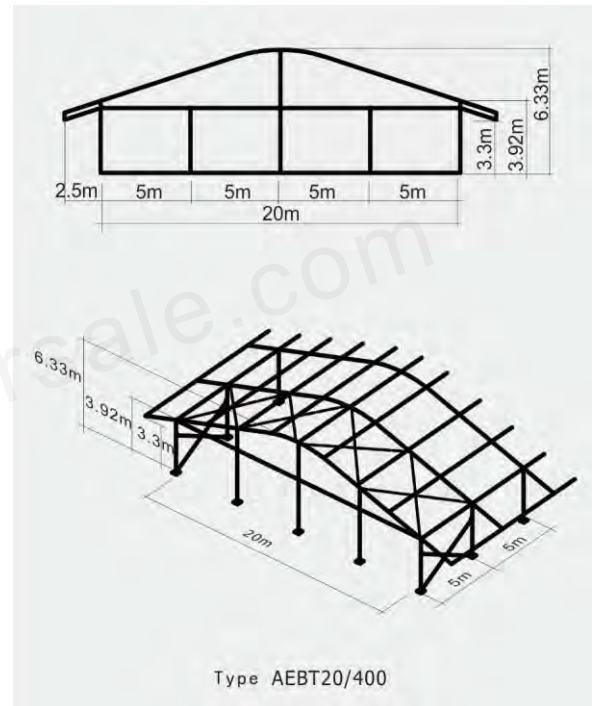


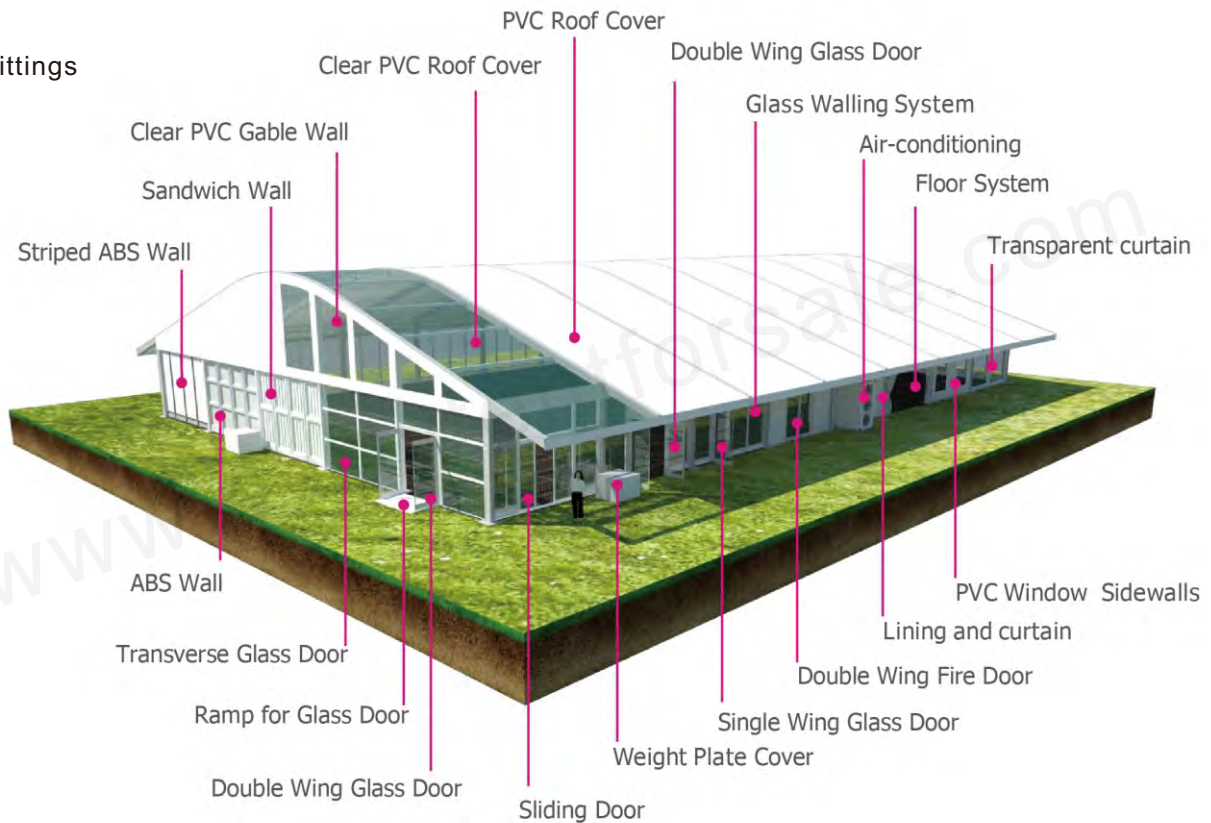
Technical Specification of Arch Party Tents (ABT)

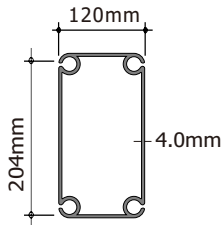
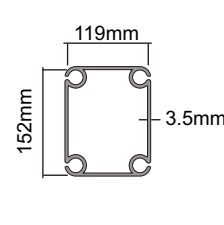
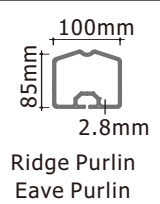
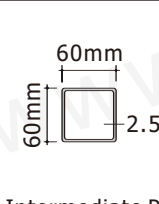
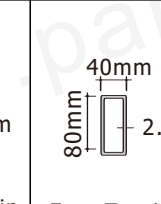
Span	Bay	Eave Height	Ridge Height	Main Profile(4 channel)
15m	5m	3.88m	5.73m	204x120x4 mm
20m	5m	3.88m	6.53m	204x120x4 mm
25m	5m	3.88m	7.33m	204x120x4 mm
20m	5m	3.92m	6.33m	256x121x5 mm
25m	5m	3.92m	7.15m	256x121x5 mm
30m	5m	3.92m	7.87m	256x121x5 mm

The minimum length of these arch roof party tents is 20m, and the maximum is unlimited. We also supply custom tents that tailor made according to your site.



Optional Fittings



 <p>Upright Support Roof Beam</p>	 <p>Gable Pole</p>	
 <p>Ridge Purlin Eave Purlin Gable Beam</p>	 <p>Intermediate Purlin</p>	 <p>Eave Tension Rail</p>

Features

- Frame Material: hard pressed extruded aluminum 6061/T6(15HW)
- Cover Material: high quality double PVC-coated polyester textile, which is 100% waterproof, flame retardant, UV resistant, self-cleaning
- Connector: strong hot-dip galvanized steel
- Allowed Condition: -30 degree Celsius ~ +70 degree Celsius
- Wind load: max. 100km/h (can be reinforced)
- Snow load: 75kg/sqm
- Easy to be assembled and dismantled.
- No pole inside, 100% available interior space.